

Atlas Copco



PZB piston motor

An energy efficient and durable air drive unit

PZB piston motor

Atlas Copco has been the trusted source for air drive innovation for more than 50 years. We serve a wide variety of customers across the globe, offering sustainable productivity, in an even wider array of applications.

The PZB range of piston air motors is energy efficient and has unique low speed and high starting torque features, adding value in many applications. The compact design and flange configurations make it easy to install. The PZB air motor is ATEX certified and operates without lubrication, making it ideal for white room and chemical, as well as automation and handling applications.



Automation and handling



White room and chemical industries

Industry requirements

- Low energy cost
- Clean exhaust air
- Process control
- ATEX certified



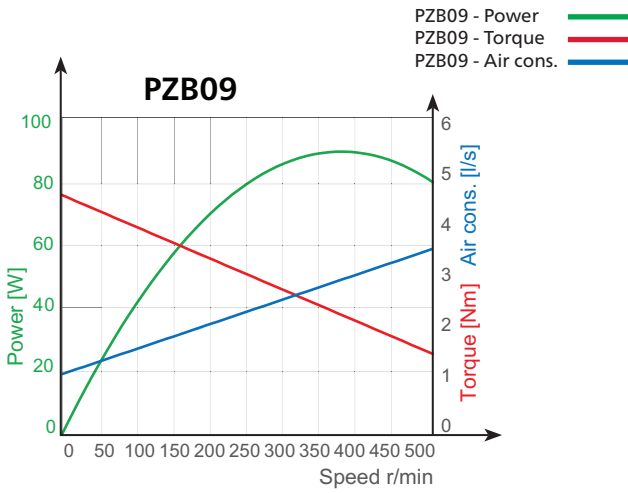
Features and benefits

- 25% more efficient
- Lubrication free
- Optimized for low speed
- Compliance with ATEX directive

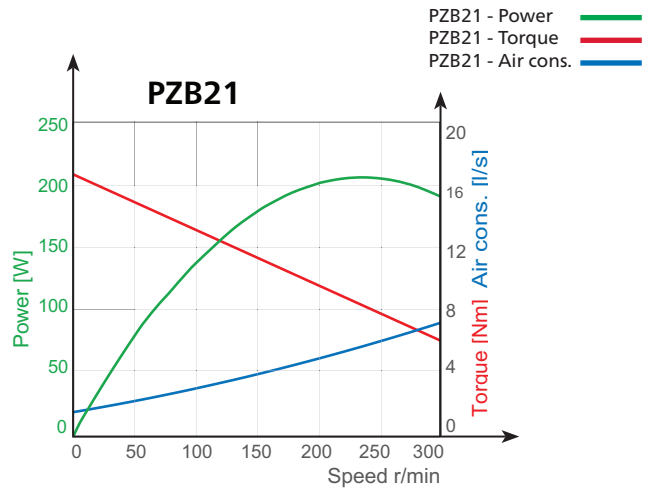
Ex II 2GD h T6 IIC T85°C



Performance data



Speed r/min	Power Kw (hp)	Torque Nm (ft-Lb)	Air cons. l/s (cfm)
100	0.04 (0.05)	4 (3)	1.6 (3.4)
200	0.07 (0.09)	3.4 (2.5)	2.1 (4.4)
300	0.08 (0.11)	2.75 (2)	2.5 (5.2)
400	0.09 (0.12)	2.1 (1.6)	3 (6.3)



Speed r/min	Power Kw (hp)	Torque Nm (ft-Lb)	Air cons. l/s (cfm)
50	0.08 (0.1)	15 (11)	2.3 (4.9)
150	0.18 (0.24)	11.8 (8.7)	4 (8.5)
250	0.21 (0.28)	8.3 (6.1)	6 (12.7)
300	0.2 (0.27)	7 (5.2)	7.4 (15.7)

Models



Compact

Model	Ordering No.
PZB09-L-AR500-11	8411 4090 00
PZB21-L-AR300-11	8411 4210 00

IEC-FF115/IEC-FF215

Model	Ordering No.
PZB09-L-AR500-20	8411 4090 18
PZB21-L-AR300-20	8411 4210 18



Nema 56C

Model	Ordering No.
PZB09-L-AR500-21	8411 4090 26
PZB21-L-AR300-21	8411 4210 26

Bearing flange

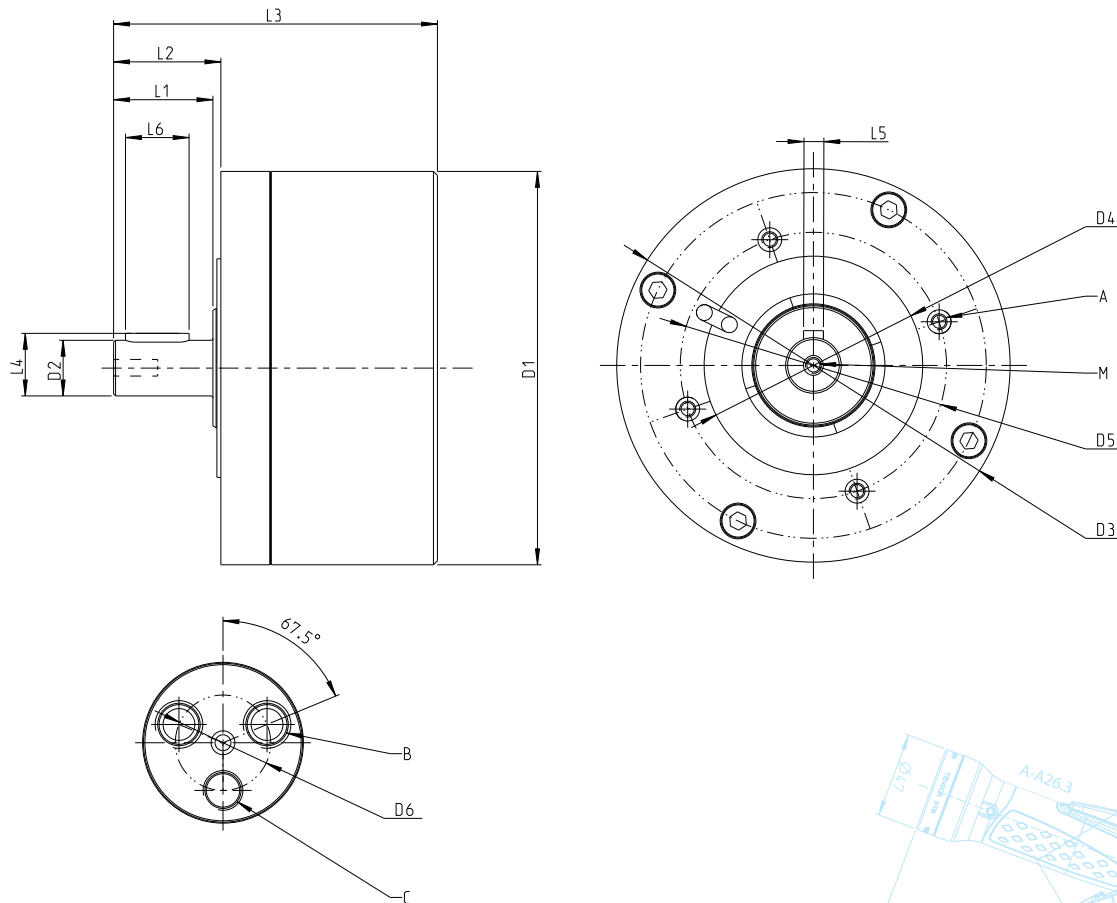
Model	Ordering No.
PZB09-LE-AR 500-20	8411 4090 34
PZB21-LE-AR 500-20	8411 4210 34

Dimensional drawings

Description	D1	D2	D3	D4	D5	D6	A	B	C
PZB09 - COMPACT	Ø99	Ø14	Ø99	Ø55	Ø67	Ø12	M4x9	M6x10	M5x6
PZB09 - IEC	Ø99	Ø14	Ø140	Ø95	Ø115	Ø12	Ø10	M6x10	M5x6
PZB09 - NEMA	Ø99	Ø5/8"	Ø6.5"	Ø4.5"	Ø5.875"	Ø12	3/8"-16	M6x10	M5x6
PZB09 - Bearing flange	Ø99	Ø14	Ø99	Ø55	Ø67	Ø12	M4x9	M6x10	M5x6
PZB21 - COMPACT	Ø159	Ø19	Ø159	Ø95	Ø115	Ø16	M6x10	G1/8"x10	M5x6
PZB21 - IEC	Ø159	Ø19	Ø240	Ø180	Ø215	Ø16	Ø14.5	G1/8"x10	M5x6
PZB21 - NEMA	Ø159	Ø5/8"	Ø6.5"	Ø4.5"	Ø5.875"	Ø16	3/8"-16x10	G1/8"x10	M5x6
PZB21 - Bearing flange	Ø159	Ø19	Ø159	Ø95	Ø115	Ø16	M6x10	G1/8"x10	M5x6

Description	L1	L2	L3	L4	L5	L6	M
PZB09 - COMPACT	25	27	81.5	15.75	5	16	M4x10
PZB09 - IEC	25	24	81.5	15.75	5	16	M4x10
PZB09 - NEMA	50	2.06"	107.5	17.85	3/16"	1 1/4"	M4x10
PZB09 - Bearing flange	25	27	111.5	15.75	5	16	M4x10
PZB21 - COMPACT	40	43	113.5	21.75	6	28	M6x18
PZB21 - IEC	40	39	113.5	21.75	6	28	M6x18
PZB21 - NEMA	50	2.06"	125	17.85	3/16"	1 1/4"	-
PZB21 - Bearing flange	40	43	162.5	21.75	6	28	M6x18

Note: All dimensions are in millimeters, except standard NEMA dimensions



Atlas Copco AB
 (publ) SE-105 23 Stockholm, Sweden
 Phone: +46 8 743 80 00
 Reg. no: 556014-2720
 atlascopco.com

